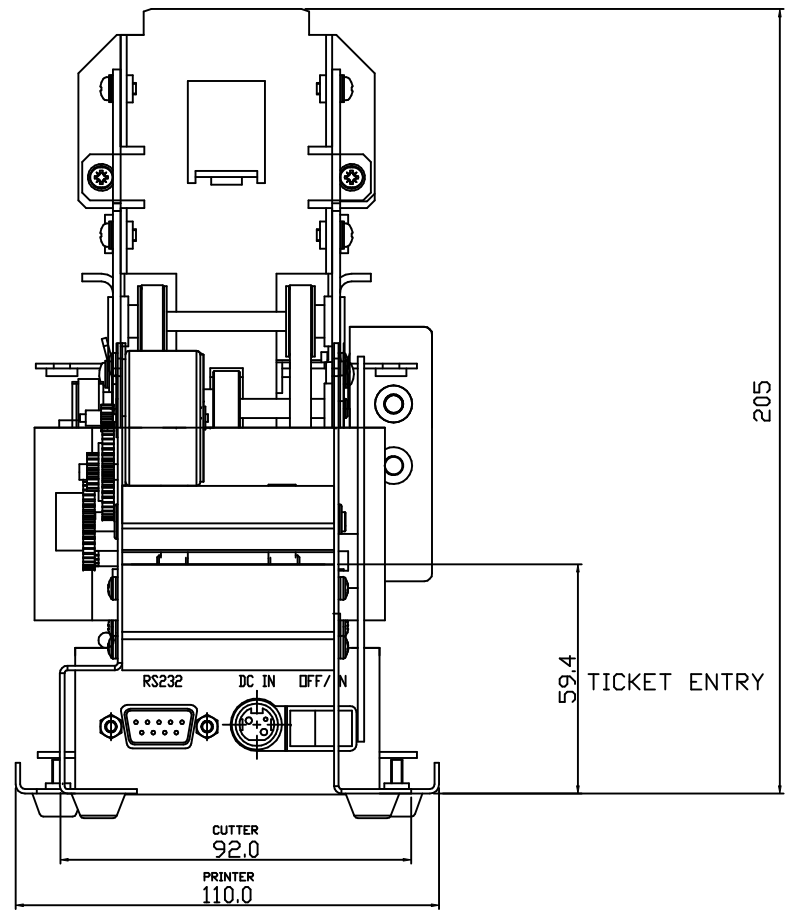
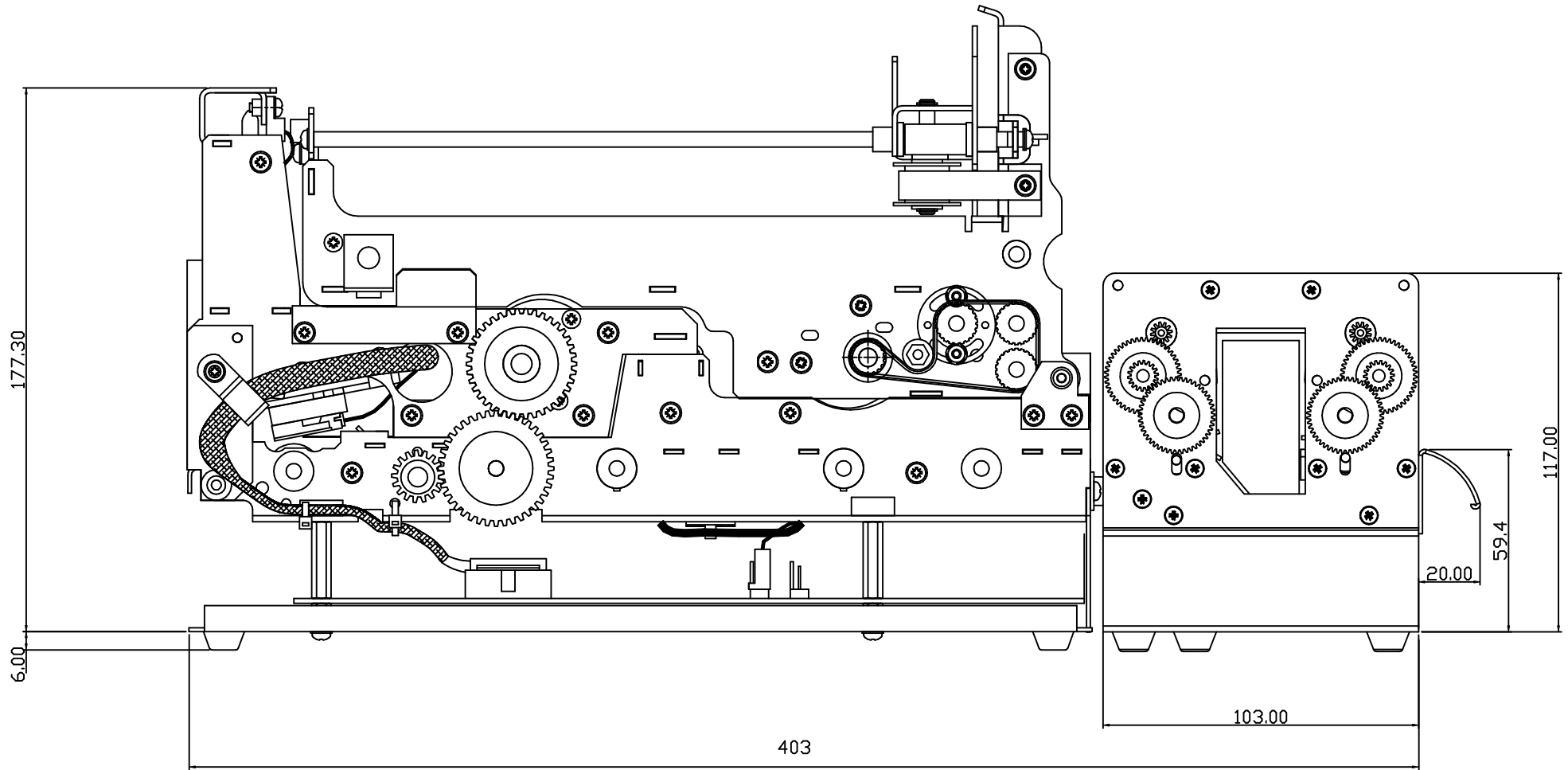


SURFACE FINISH MICROMETERS CLA Q103	ALL DIMENSIONS IN MILLIMETERS UNLESS STATED	REMOVE ALL BURRS AND SHARP EDGES	ALL DIMENSIONS APPLY AFTER PLATING	DRN	PDJ	22.04.10
				CHKD		
				ENG	PDJ	22.04.10
				PE		
ALTERATIONS						
ISSUE	ECN	DATE				



Newbury Data Recording Limited PROT. FINISH & SPEC.	15, Road Five, Industrial Estate Winsford, Cheshire CV7 3SG Tel: 01606-593424 Fax: 01606-861960	DIMENSIONS OR PROCESSES MARKED THIS - SPC ARE CONTROLLED BY STATISTICAL PROCESS CONTROL PROCEDURE
	LIMITS (UMS) 2 DEC PL ±0.15 1 DEC PL ±0.4 ANGLES ±1/4° W/C CORNER RADS 0.25 MAX	SCALE 1:1 DO NOT SCALE
MAT'L & SPEC.		THIS DWG CONFORMS TO BS308 © COPYRIGHT NDR LTD NO UNAUTHORISED COPYING
TITLE	CONTINUOUS FORMS PRINTER	DRG No CONTINUOUS 01 CAD FILE NO.